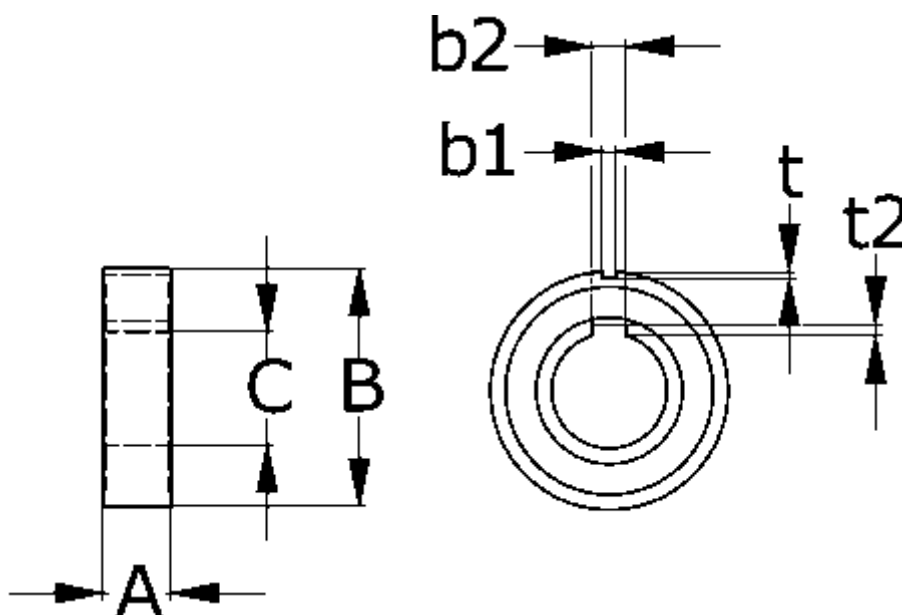


Article number: 5798013503

Description: Tsubaki Cam clutch bearing BB35-2K-K (6207)
d=35 D=72 T=17, with keyway on inner & outer race steel sealed

Measures



A	= 17
B	= 72
b1	= 8
b2	= 10
C	= 35
t1	= 2.5
t2	= 2.4
Torque (Nm)	= 173